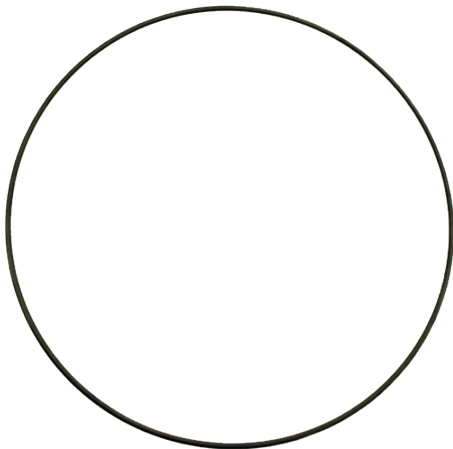




CFM56-5A/B/C & -7B External Pressure Seal

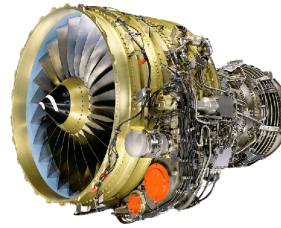
External Pressure Seal for CFM56-5A/B/C & -7B Engines

Since 1990, Aviation Component Services (ACS)* has offered a wide variety of high quality engine aircraft replacement components via FAA-PMA approval (Parts Manufacturer Approval). Our components are manufactured to the highest standards and tested above OEM requirements to ensure greater durability when exposed to harsh environmental factors.



External Pressure Seal

Engines



CFM56-7B



CFM56-5A/B/C

Applications



Boeing 737



Airbus A318



Airbus A319

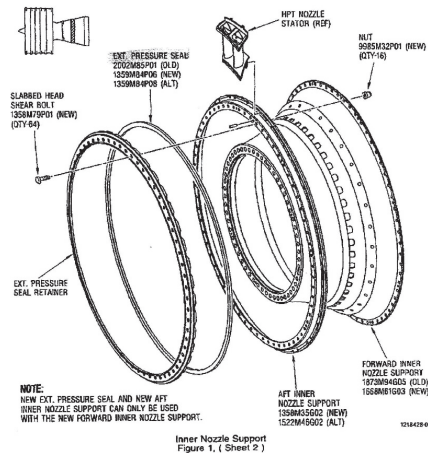


Airbus A320



Airbus A321

SERVICE BULLETIN
CFM56-7B
ENGINE - Combustion Assembly (72-41-00) - Introduction of a New Combustion Assembly and HPT Nozzle Assembly



NOTE:
NEW EXT. PRESSURE SEAL AND NEW AFT INNER NOZZLE SUPPORT CAN ONLY BE USED WITH THE NEW FORWARD INNER NOZZLE SUPPORT.

Inner Nozzle Support
Figure 1, (Sheet 2)

August 06, 1999
Revision 04, December 30, 2003

CFM56-7B S/B 72-0239
PAGE 11

Pressure Seal IPC/SB

External Pressure Seal Capabilities

OEM Part Number	ACS Part Number	Description
1359M84P06	1359M84P08ACS	External Pressure Seal
1359M84P08	1359M84P08ACS	External Pressure Seal
1359M84P11	1359M84P08ACS	External Pressure Seal

