

Tedeco Division

Request Quote



HERBER

**Industrial Fluid System
Products**



Made in U.S.A.

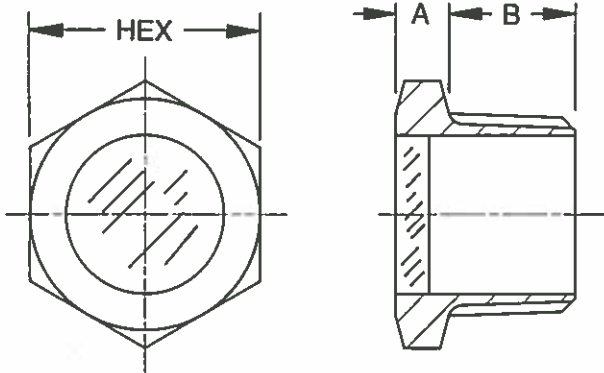
Tedeco Sight Plugs / Oil Eyes



FUSED GLASS MODELS

These economical high strength units are fabricated from a carbon steel housing and a thick section of high strength glass. The pressure tight seal is formed by compression on the perimeter of the glass. Elastomers are entirely eliminated.

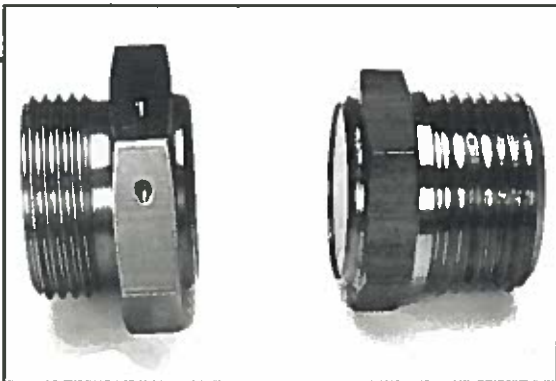
The fused assembly is capable of high temperature and high pressure. Also, most special chemical compatibility requirements may be accommodated by a simple change of plating. Standard units are stocked with electroless nickel finish.



Model		Thread	Hex.	Min. Burst Pressure (psi at 70°F)	A	B
Oil Eye	Thrusite					
M1270	M1270W	3/4-16 UNF	1	8000	.25	.40
M628EA*	M628	2 1/4-12 UN	2 1/2	1800	.41	.62
M141C	M141	1/4-18 NPT	5/8	8000	.19	.43
M142C	M142	3/8-18 NPT	3/4	8000	.22	.56
M143C	M143	1/2-14 NPT	15/16	8000	.22	.56
M144C	M144	3/4-14 NPT	1 1/16	6000	.31	.63
M145C	M145	1-11 1/2 NPT	1 3/8	4000	.31	.75
M146C	M146	1 1/4-11 1/2 NPT	1 3/4	3000	.41	.81
M147C	M147	1 1/2-11 1/2 NPT	2	2400	.41	.81
M148C	M148	2-11 1/2 NPT	2 1/2	1800	.41	.87
—	M143F	1/2-14 NPT	15/16	8000**	.22	.56
—	M146D	1 1/4-11 1/2 NPT	1 3/4	3000**	.41	.81
—	M148F	2-11 1/2 NPT	2 1/2	1800**	.41	.87

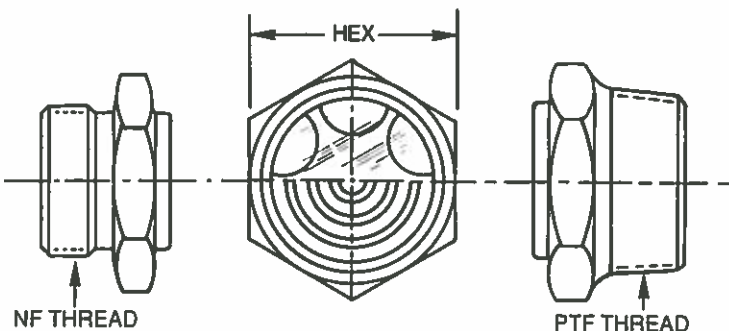
* Assembled with Aluminum Float Ball.

**Recessed Lens.



POLYMER SEALED MODELS

These sight plugs use a transparent plastic window with a synthetic rubber seal and are recommended for applications not exceeding 200°F (93°C). Pipe thread models use a steel body with corrosion resistant finish. Straight thread models use an aluminum alloy body and are designed to accommodate an O-ring seal. Special housing and lens materials are available for severe environments. Also available with float balls or special level or identification markings. Contact our engineering department for special requirements.



Model		Thread	Hex.	Min. Burst Pressure (psi at 70°F)	A	B
Oil Eye	Thrusite					
M30	M30Z	3/4-16 UNF	1	1450	.36	.40
M31	M31Z	1-14 UNS	1 1/4	1120	.40	.50
M32	M32Z	1 5/8-12 UNS	1 7/8	490	.48	.59
M123	M123Z	1/8-27 PTF	1/2	2370	.30	.39
M124	M124Z	1/4-18 PTF	5/8	2370	.34	.59
M49	M49Z	3/8-18 PTF	3/4	1450	.40	.49
M36	M36Z	1/2-14 PTF	7/8	1450	.40	.56
M35	M35Z	3/4-14 PTF	1 1/8	1120	.40	.66
M34	M34Z	1-11 1/2 PTF	1 3/8	690	.40	.82
M128	M128Z	1 1/4-11 1/2 PTF	1 3/4	490	.47	.81
M126	M126Z	1 1/2-11 1/2 PTF	2	490	.53	1.00

All dimensions in inches unless specified otherwise.

For more than 45 years, the Tedeco Division of Vickers, Incorporated has been a leader in the production of fluid system products for industrial applications. Innovation, quality, and superior product design and performance exemplify our commitment to meeting our customers' requirements.

Today, Tedeco is the undisputed market leader worldwide for lube system diagnostics and systems monitoring products. And this leadership position is backed by a comprehensive network of company representatives and customer support facilities that offer the quick response needed for design and prototyping. Experienced engineering personnel and state-of-the-art machining provide the right combination of resources to understand the requirements of our customers and supply the products to meet those requirements.

The Tedeco Division of Vickers is poised to serve you. Challenge us to show you how we can help.



Vickers, Incorporated
Tedeco Division
401 Minnetonka Road
Hi-Nella, NJ 08083
Phone: 609-784-3030
Fax: 609-784-0153

Vickers, Incorporated
Tedeco Division
24 East Glenolden Ave.
Glenolden, PA 19036
Phone: 610-583-9400
Fax: 610-583-3985

Aeroquip-Vickers Limited
Tedeco Division
Larchwood Avenue
Bedhampton
Hants P09 3QN England
Phone: 1705-487251
Fax: 1705-492400

VICKERS